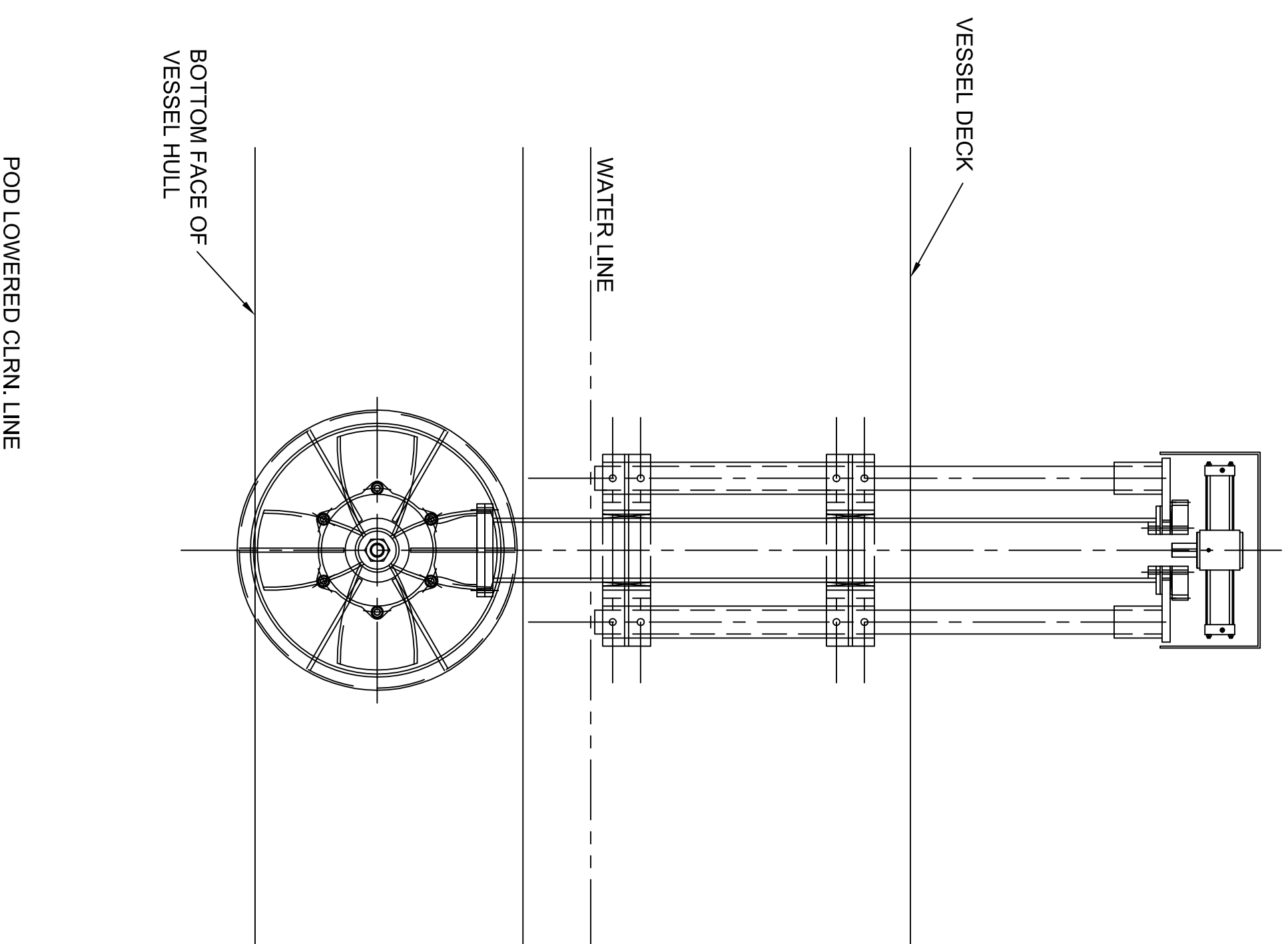
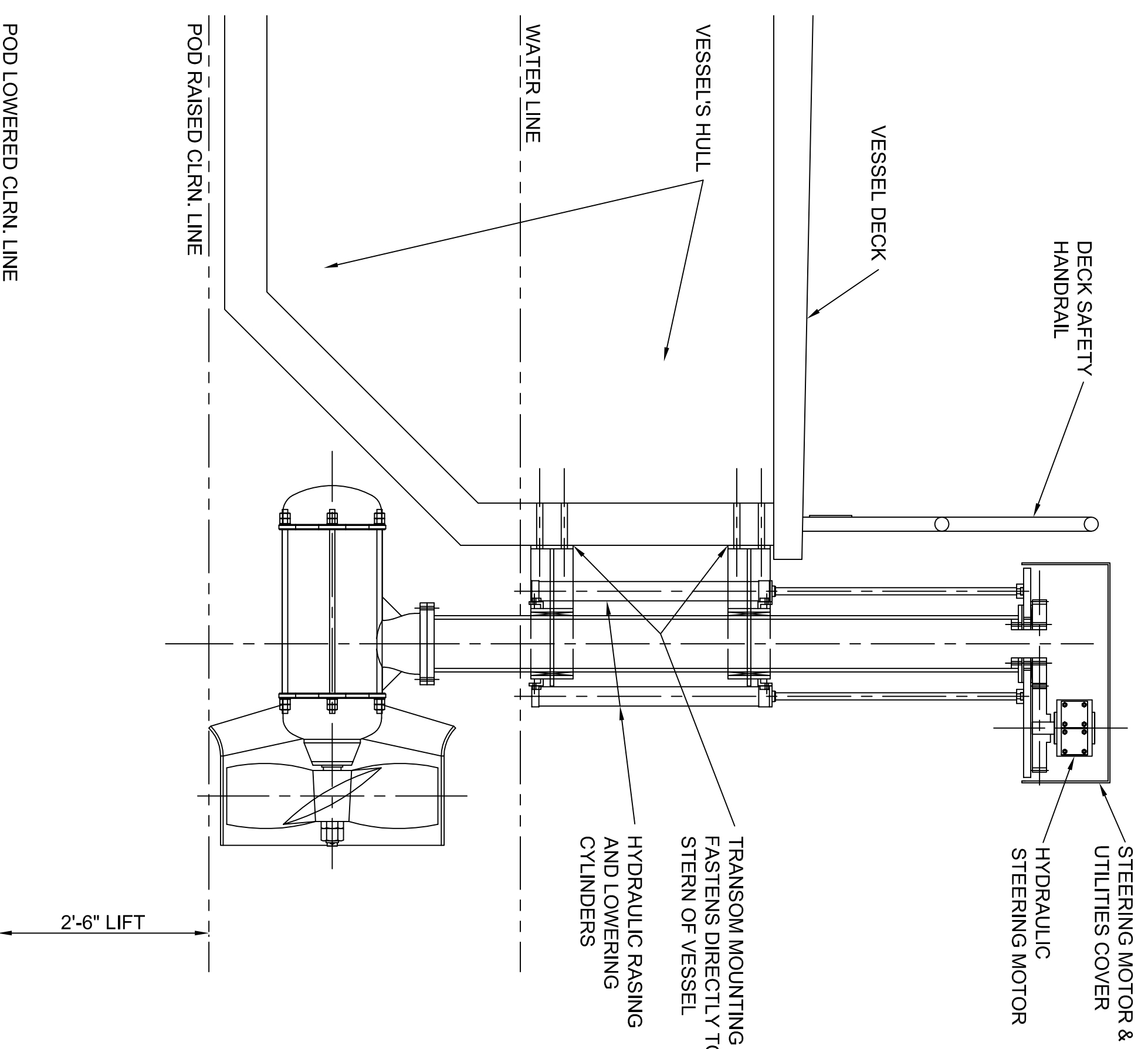
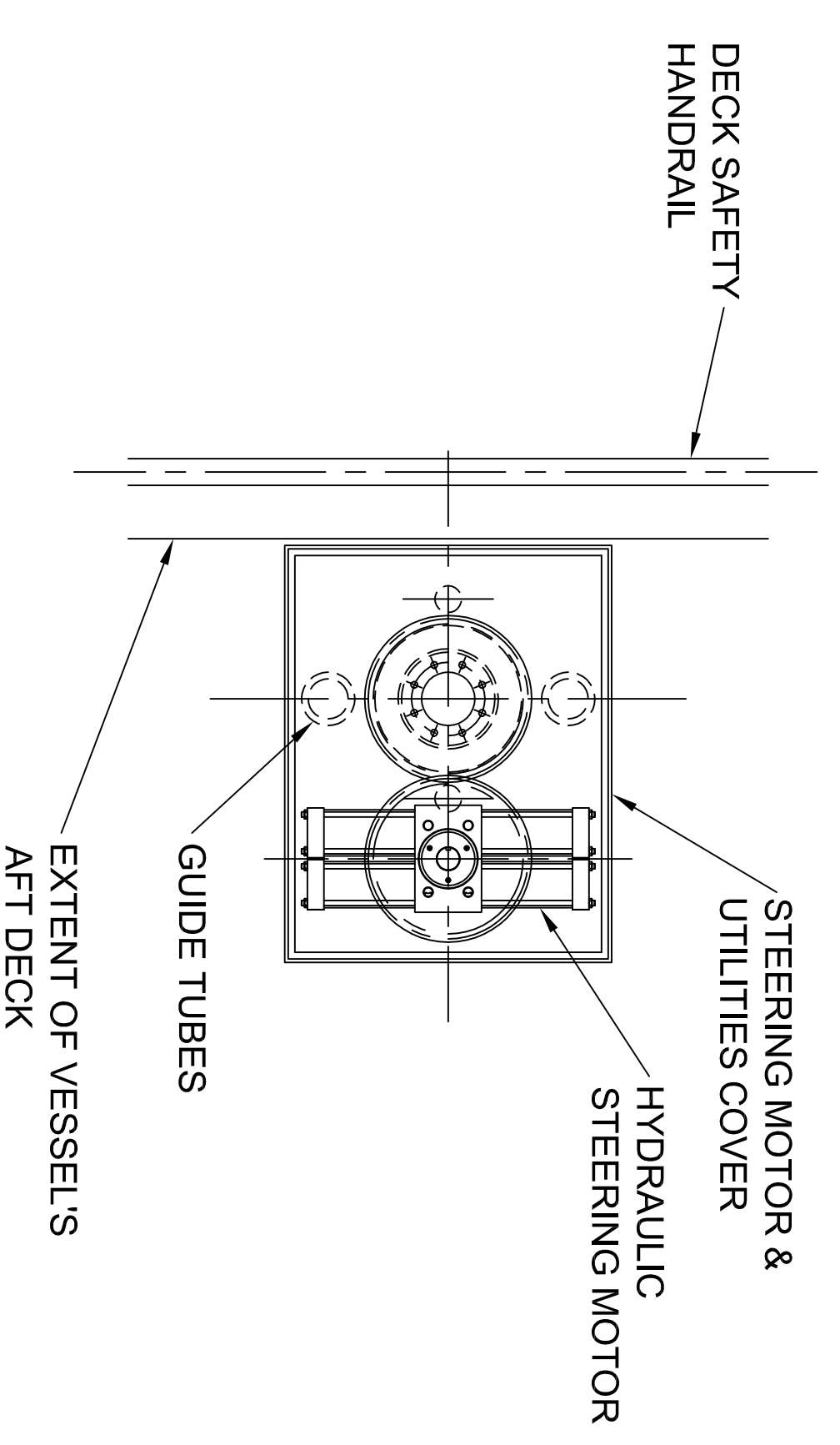


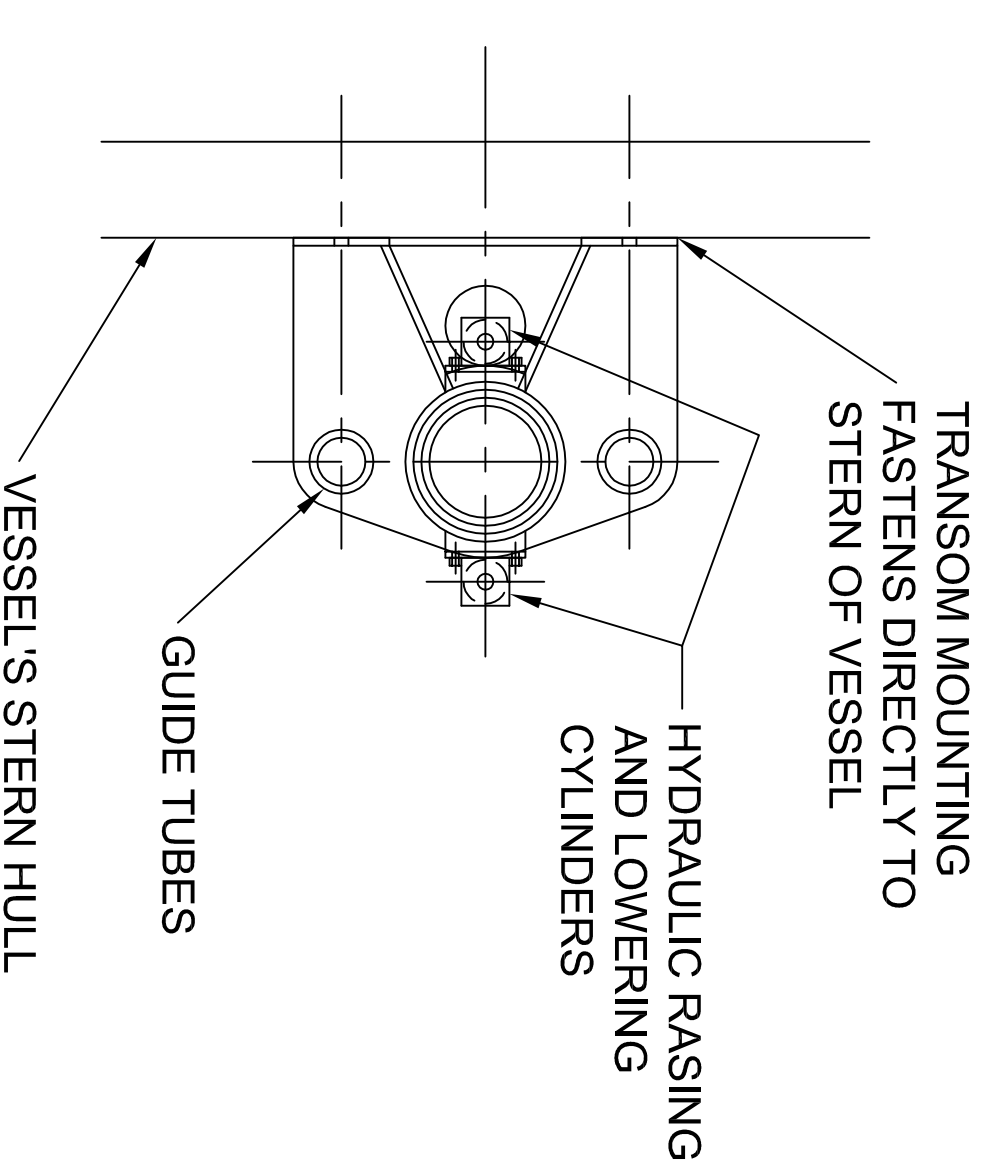
180° ROTATION CHB MARINE POD PROPULSION DRIVE IN LOWERED POSITION



180° ROTATION CHB MARINE POD PROPULSION DRIVE IN RAISED POSITION



STEERING MOTOR & UTILITIES VIEW



TRANSOM MOUNTING VIEW

TECHNICAL SPECIFICATION DATA	
MODEL	TRANSOM MOUNTING / NUMBER
MODEL IDENTIFICATION / NUMBER	TM8-180-30
TYPE OF MOUNTING	TRANSOM MOUNTING
MOUNTING TUBE SIZE	8" O.D.
MOUNTING TUBE ROTATION	180°
POD UNIT VERTICAL LIFT	30"
X	X
X	X
X	X
X	X
X	X
X	X
X	X
X	X
X	X
X	X
X	X
X	X
X	X
X	X
X	X
X	X
X	X
X	X
X	X

CHB MARINE ELECTRIC POD DRIVES
 TRANSOM MOUNTING DEMINSIONAL & SPECIFICATION
 CAROLINA HOUSEBOATS, dba
 3009 IMPERIAL OAKS DRIVE
 RALEIGH, NC 27614

CHB MARINE POD TRANSOM MOUNTING

EDMUND A. OKIE, P.E.

ENGINEERING — FABRICATION — CONSTRUCTION
 INDUSTRIAL — COMMERCIAL — RESIDENTIAL — MARINE
 3009 IMPERIAL OAKS DRIVE, RALEIGH, NORTH CAROLINA 27614
 PHONE 919-562-8162 E-MAIL: OKIE@NC.RR.COM